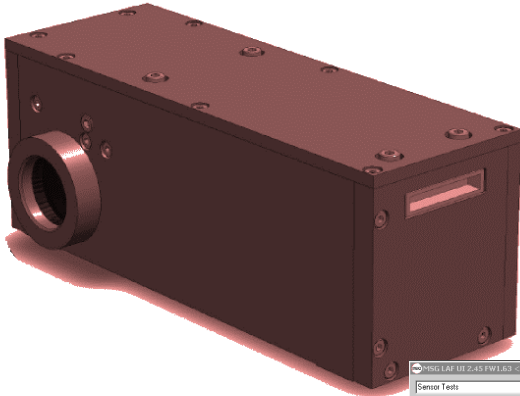


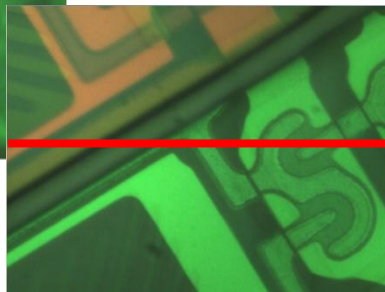
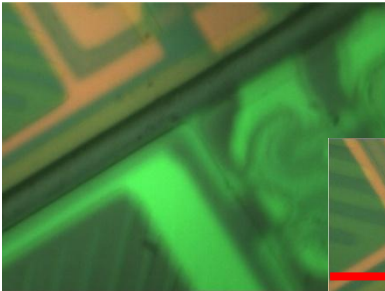
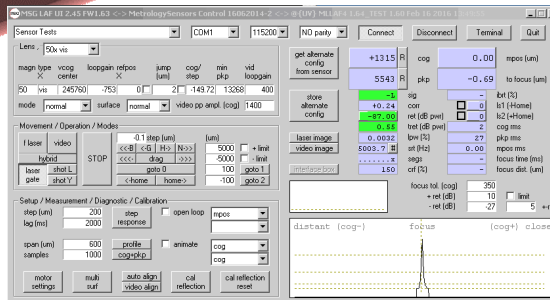
LAF5S-ORB



Line Laser Auto Focus & Tracking Sensor for microscope automation



- Applicable to Plan Apo lenses 1x-100x, VIS, IR & UV
- Full laser line with segment processing
- Fast internal image sensor for minimum update latency
- Advanced processing hardware and algorithm ensure a robust focus precision even on non-homogeneous surfaces
- Analog focus control output
- User interface with enhanced network capabilities for multi sensor operation
- Easy integration of UI functions into the customer software without software library needed



The LAF5S-ORB comes as a standalone Auto Focus sensor and provides an analog output to connect with an external stage amplifier or motor controller with analog close loop control input

Specification LAF5S-ORB

Lens Type	APO Plan Infinite Microscope Objective Lens				
Magnification	5x	10x	20x	50x	100x
Numerical aperture	0.14	0.28	0.42	0.55	0.70
Sample rate	4kHz max.				
Image sensor	250 full frames/sec. max.				
Surface detection Range	±12000µm	±4000µm	±1500µm	±300µm	±100µm
Accuracy*	Laser mode: +/-0.4 of Lens DOF				
Light Source	Safety Class III R Wavelength 660nm-670nm, 785nm				
Operation Temperature	+ 5°C to + 50°C				
Beam Shape	45 ° tilted laser line				
Weight Sensor + cable	400gr+ 140gr				
Weight Interface	400gr				
Recommended port	Beamsplitter 50/50 @670nm				
Power	In		+12V DC		
Distance Output	Analog		0-10V (-10V to +10V optional)		
Signal Quality Output	Analog		0- 10V		
Communication	Digital		RS232		
Laser ON/OFF	In		TTL	& via command	
*All data refer to measurement on plain glass					

Table 1

Working Principle

